

CUSTOMER QUOTE REQUEST FORM



1300 360 181
52-56 Produce Drive
Dandenong South
Victoria 3175

Company:

Name:

Site Address:

Door #

**Referring to the below drawings, Tick one critical measurement and fill in the below boxes

Critical Height

Stud Size (C)

Critical Width

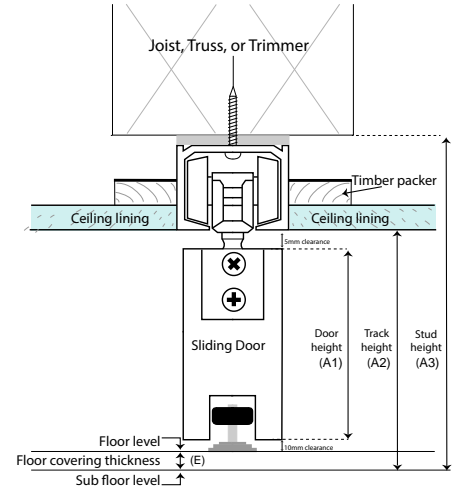
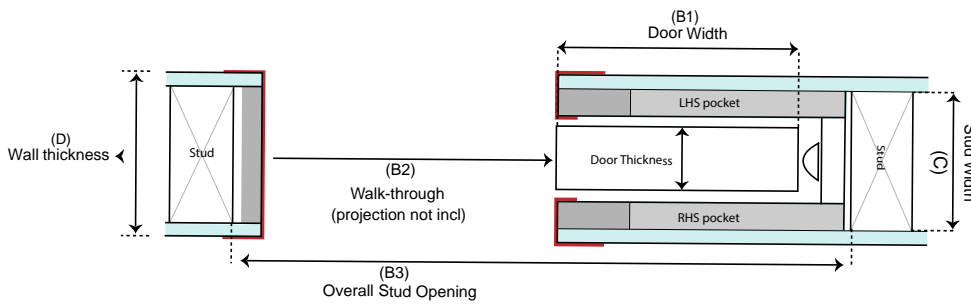
Wall / Jamb Width (D)

Floor cover thickness (E)

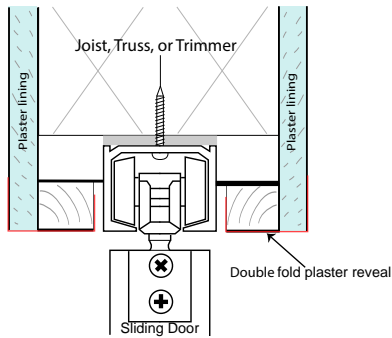
Quantity

Cladding Thickness LHS =

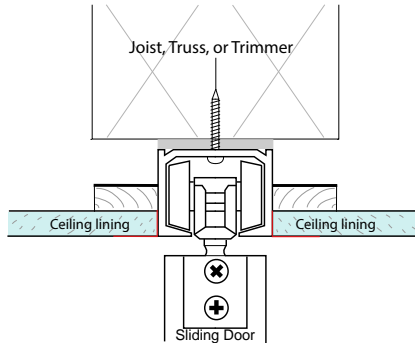
RHS =



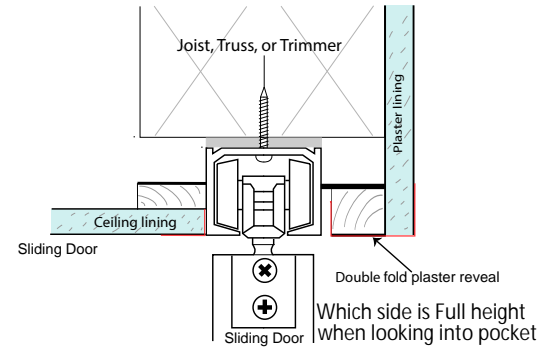
Less Than Full height



Full height

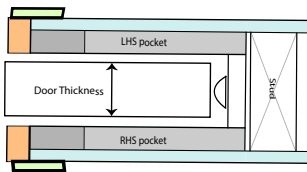


Combination Full height/Less than full height

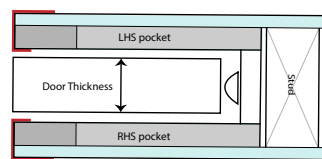


LHS RHS

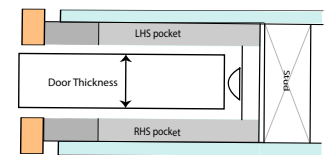
Architrave



Square set



P50 Shadowline



Additional information