

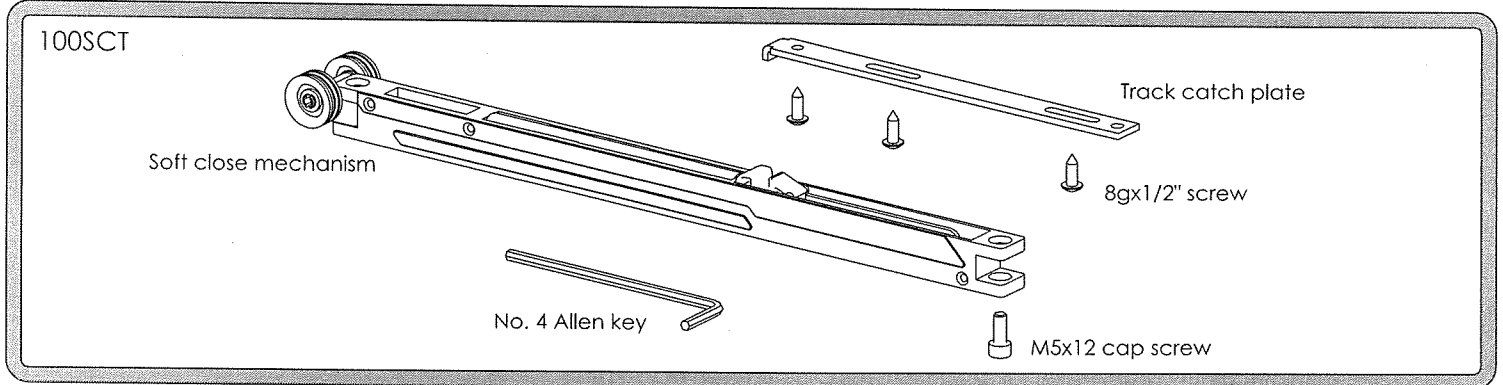
Soft Close for Straight Sliding 80 & 100kg

Brio Australia
 P: +61 2 87186718
 W: brio.com.au
 E: brio.sales@allegion.com

Brio UK
 P: +44 191 2291224
 W: briouk.com
 E: brio.sales.uk@allegion.com

Brio USA
 P: +1 585 3195599
 W: briousa.com
 E: brio.sales.usa@allegion.com

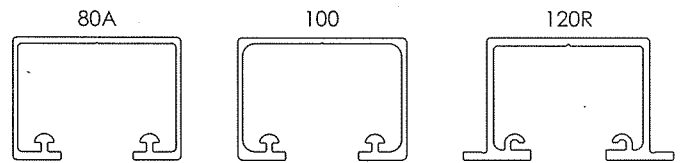
Components



Track & capacities

System weight capacity dependant on track finish

	80A Mill	80A CA	100 Mill	100 CA	120R CA
80kg	✓	✓	✓	✓	✓
100kg	✗	✗	✗	✓	✓

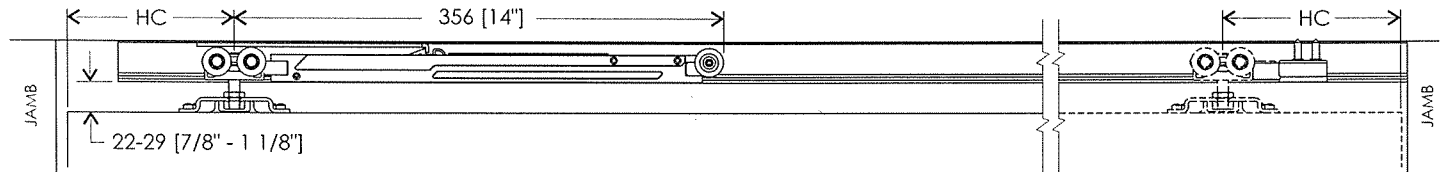


Note 120R track must be fixed with countersunk screws

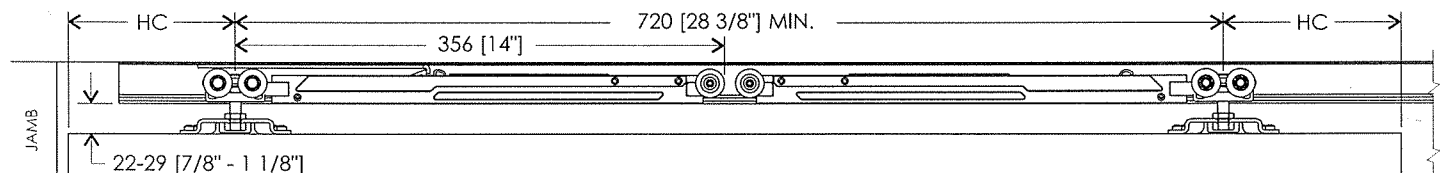
Applications HC = hanger centre distance from panel end

Single Run 80 & 100

Single Soft Close

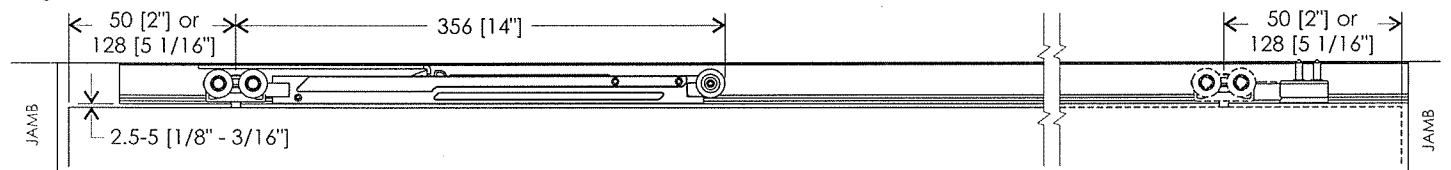


Double Soft Close

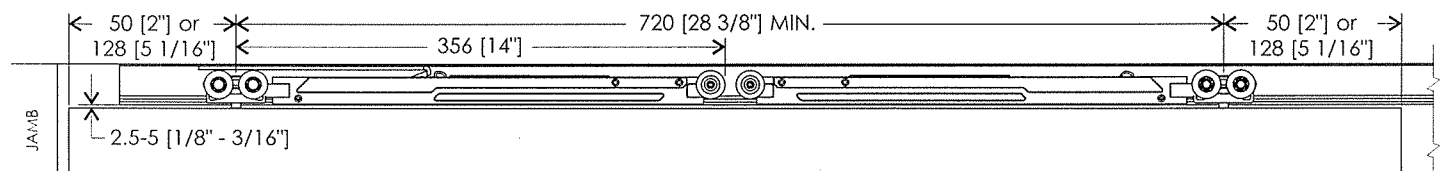


Zero Clearance 80 & 100 & Zero Clearance Glass 80 & 100

Single Soft Close

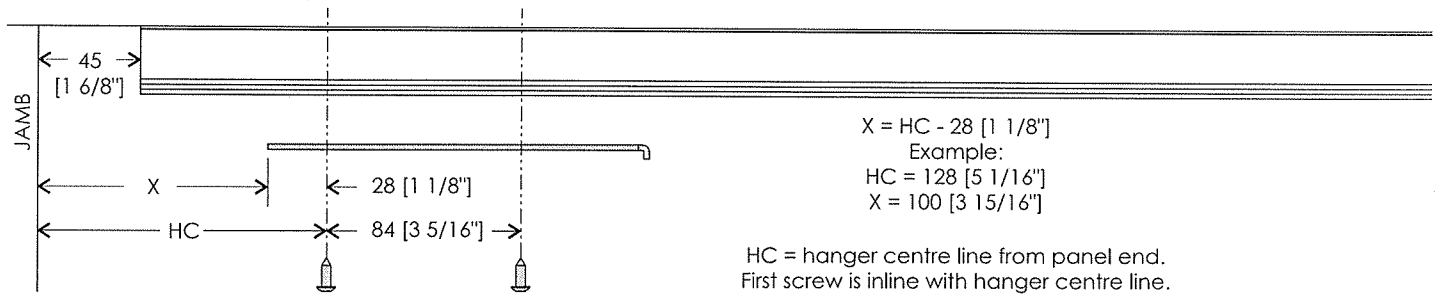


Double Soft Close

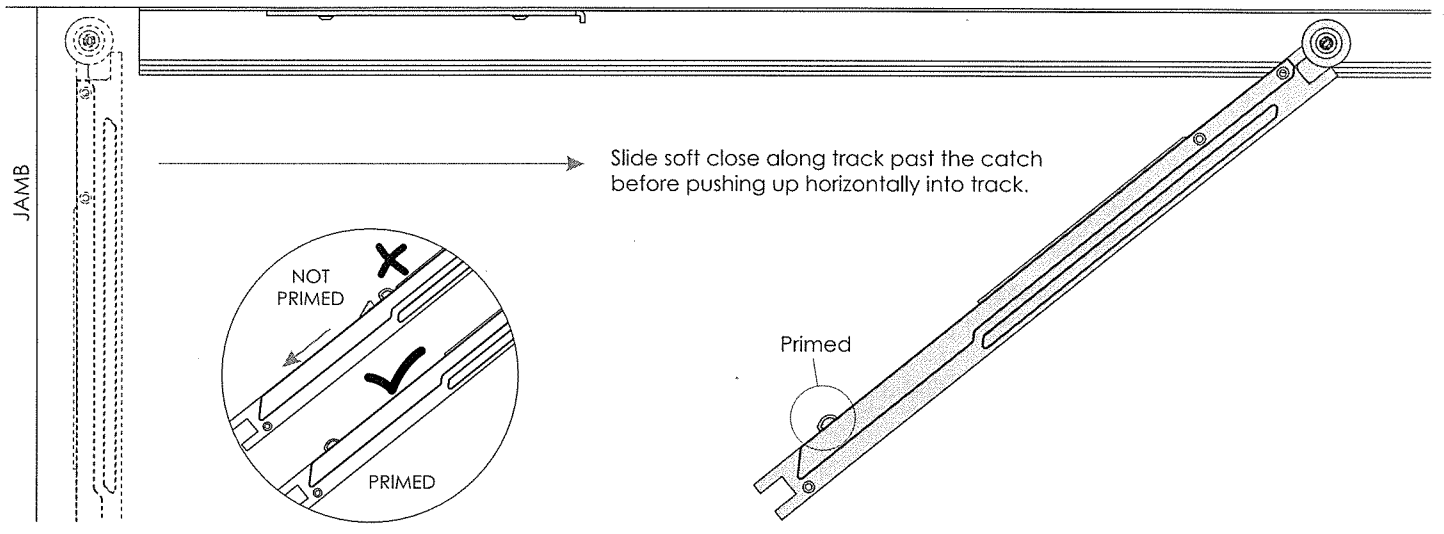


Installation Single soft close application shown

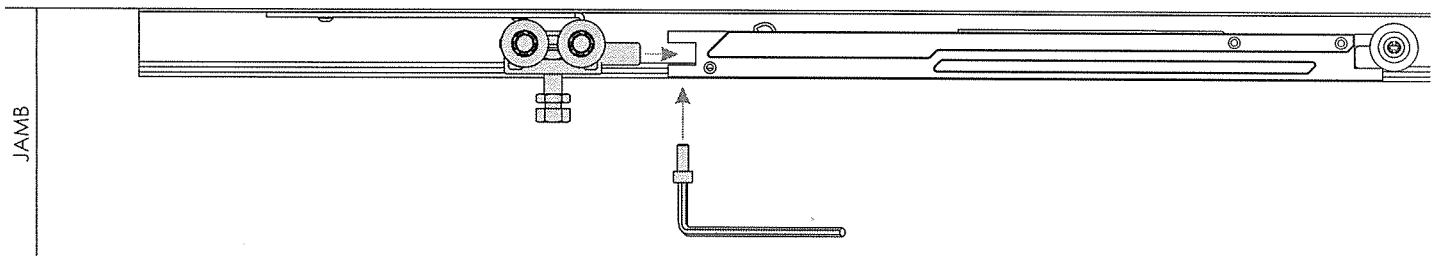
Fix catch plate into track through slotted holes with 2 screws only



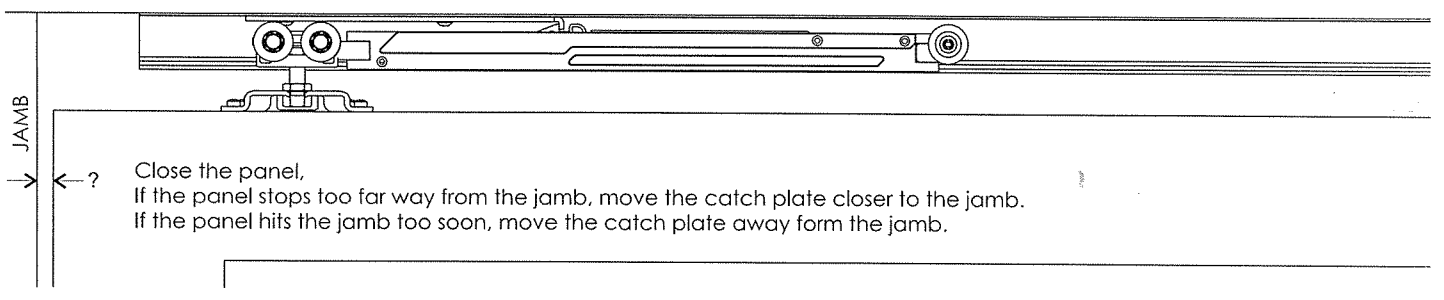
Insert clip stop & 1st hanger into track, then soft close. The soft close must be in primed position, as shown



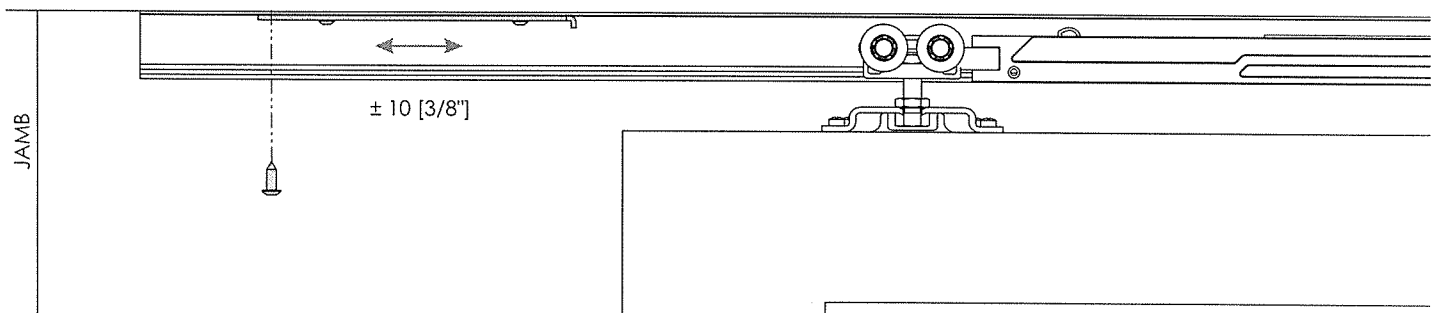
Insert 2nd hanger & attach to soft close with cap screw. Install panel as per system instructions.



Fine adjustment



Adjust catch plate as required. Secure in final position with the 3rd screw



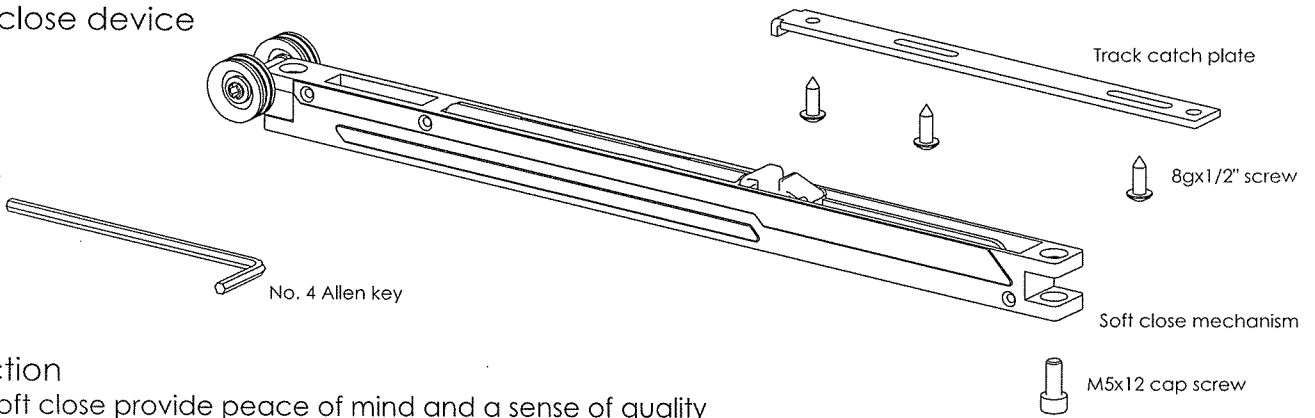
Soft Close Care & Maintenance

Leave with consumer

CM100SCT REV A - OCT 2016

Product

Soft close device



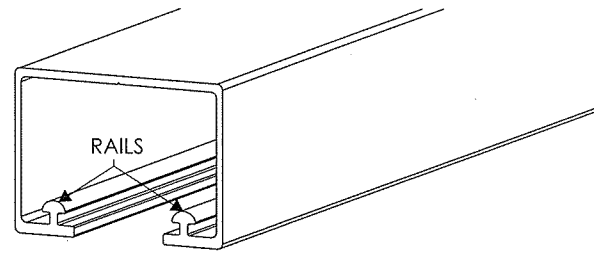
Function

Brio Soft close provide peace of mind and a sense of quality as the panel is aided to its rest position in a controlled manner.

Maintenance

Care

To ensure the product provides years of trouble free service a little maintenance maybe required. Periodically wipe down the rails of the track to remove unwanted build up of dust and dirt that may prevent the wheels rotating smoothly.



Adjustment

Over time there maybe a need to adjust the rest position of the soft close device.

